

# INSTALLATION INSTRUCTIONS FOR YOUR PRE-FRAMED SIDE HUNG DOOR



CAUTION

## IMPORTANT INFORMATION

- 1 This garage door is intended for domestic use only.
- 2 Garage doors are heavy and may have sharp edges. Wear protective gloves. Installation should not be undertaken alone. Care must be taken when handling.
- 3 Ensure the door is continuously supported before it is secured and avoid installing in windy conditions.
- 4 Do not attempt to install or adjust this door if you are unsure of any of the instructions below.

PLEASE READ INSTRUCTIONS RIGHT THROUGH BEFORE COMMENCING INSTALLATION.

## BEFORE COMMENCING WORK

### 1 Remove all wrapping

Before starting: remove all wrapping and check door has been supplied with correct fixing kit. Kit code is on identification label on reverse of door. Check contents correspond with packing slips

#### NOTE A

No wall plugs are provided. It is the responsibility of the installer to provide and fit wall plugs suitable for the structure to which the door is to be fitted.

### 2 Check area in front of doors

These side hung garage doors open OUTWARDS. To avoid the doors jamming when opened, check for a distance of 1200 mm (48") in front of the doors that there is no slope or projections to impede door movement

## FITTING TO BRICKWORK

### Fitting within Aperture

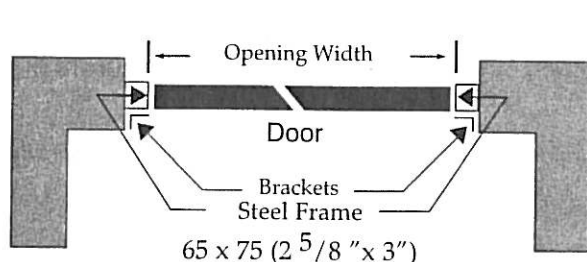


FIGURE A

### Fitting Behind Aperture

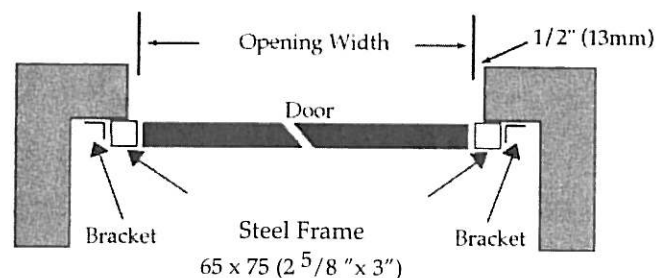


FIGURE B

Dimensions of steel frames are: 130 mm (5 1/4") greater than opening width, 68mm ( 2 11/16") greater than opening height, 75 mm (3") deep all round.

## You will need:

- Power drill
- 10mm A/F socket/spanner
- Protective gloves
- Sharp knife
- Tape measure
- Door props
- Masonry drill bits
- Hammer
- Grease
- Wedges (packing pieces)
- Engineer's pliers
- Posi screwdrivers (Z3 & Z2)
- '3 in 1' type oil.

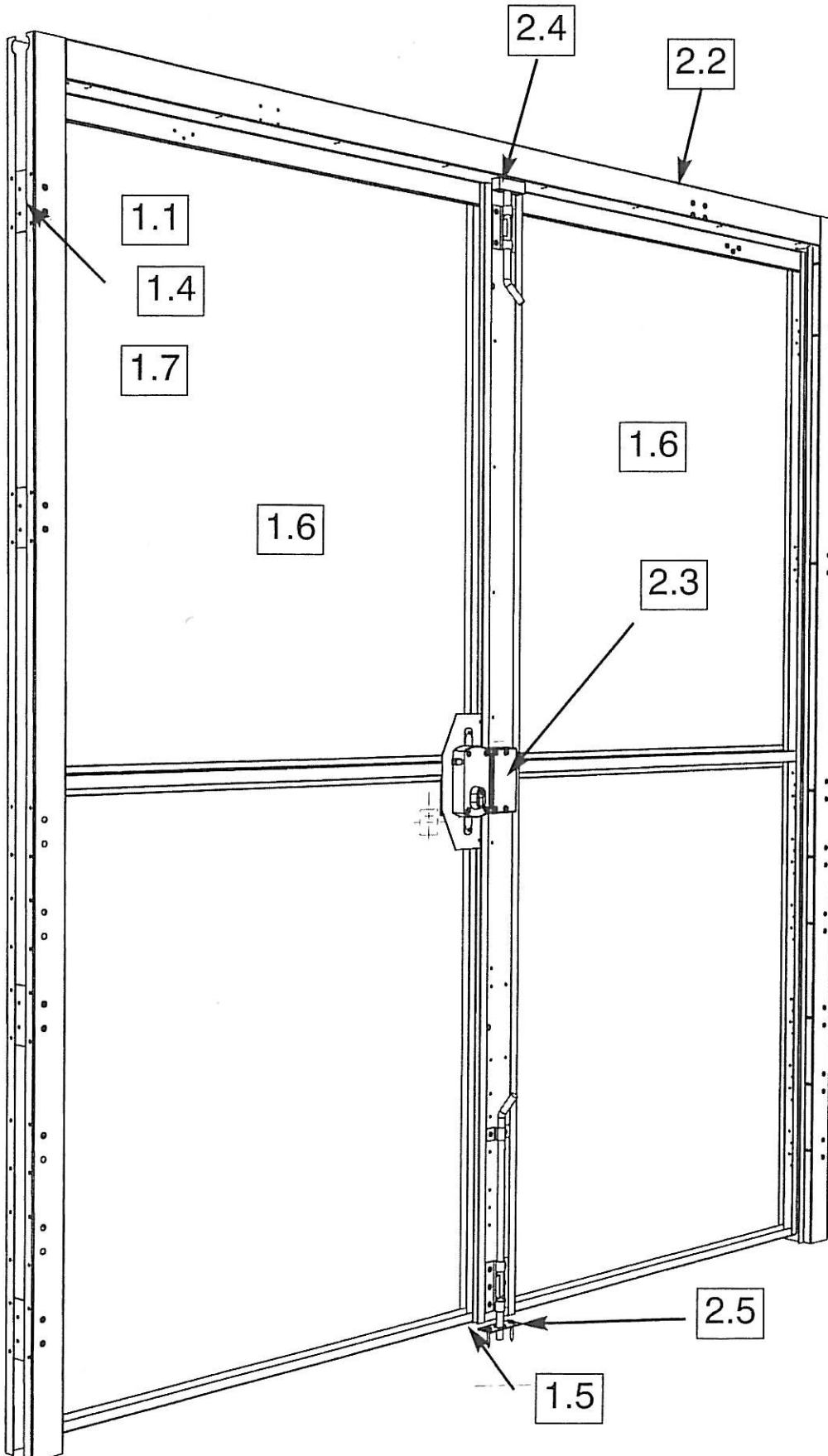
Note to installer: Please ensure that this instruction sheet remains with the door for the owner's future reference.

# 1

**CAUTION !** Please ensure all tools and parts are **inside** the garage before the door is placed in the opening.

## FITTING YOUR DOOR

Assembly diagram (numbers refer to installation notes)



**1** Select fixing positions and fit wall brackets (4 per side) to frame.

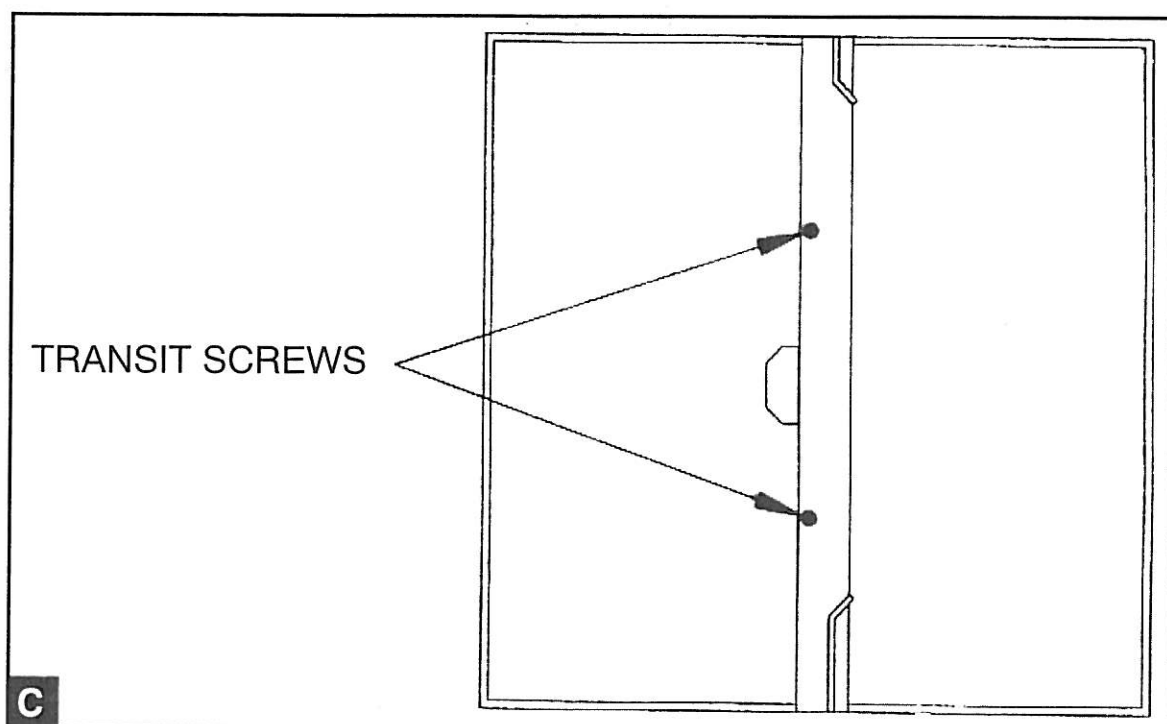
- For fitting frame within aperture, brackets should be fitted to back of frame as shown in Figure A using two No. 14 x 3/4" hex head self tapping screws per bracket.
- For fitting frame behind aperture brackets should be fitted to side of frame as shown in Figure B using two No 14 x 3/4" hex Head self tapping screws per bracket.

**2** Place door unit centrally in aperture and prop securely in position.

**3** Whether fitting within or behind the brickwork ensure that door/frame unit is securely propped with frame uprights vertical and parallel to each other, with the frame lintel horizontal and level and square to uprights.

- 4** When satisfied that frame is correctly positioned drill for wall brackets, using 2 off M7 x 45 coach screws and M8 washers per bracket, and with suitable wall plugs (See Note A).
- 5** With all wall brackets fixed and secure, remove door props and then remove the two transit screws (See Fig C).
- 6** Carefully open door "lock leaf" to ensure full opening without obstruction, Repeat for "bolt leaf".
- 7** Fully close doors and ensure doors are square in aperture, with an even centre gap and not binding.

If any of these faults occur you will have to carefully adjust frame uprights, using slots in brackets, to correct the fault.



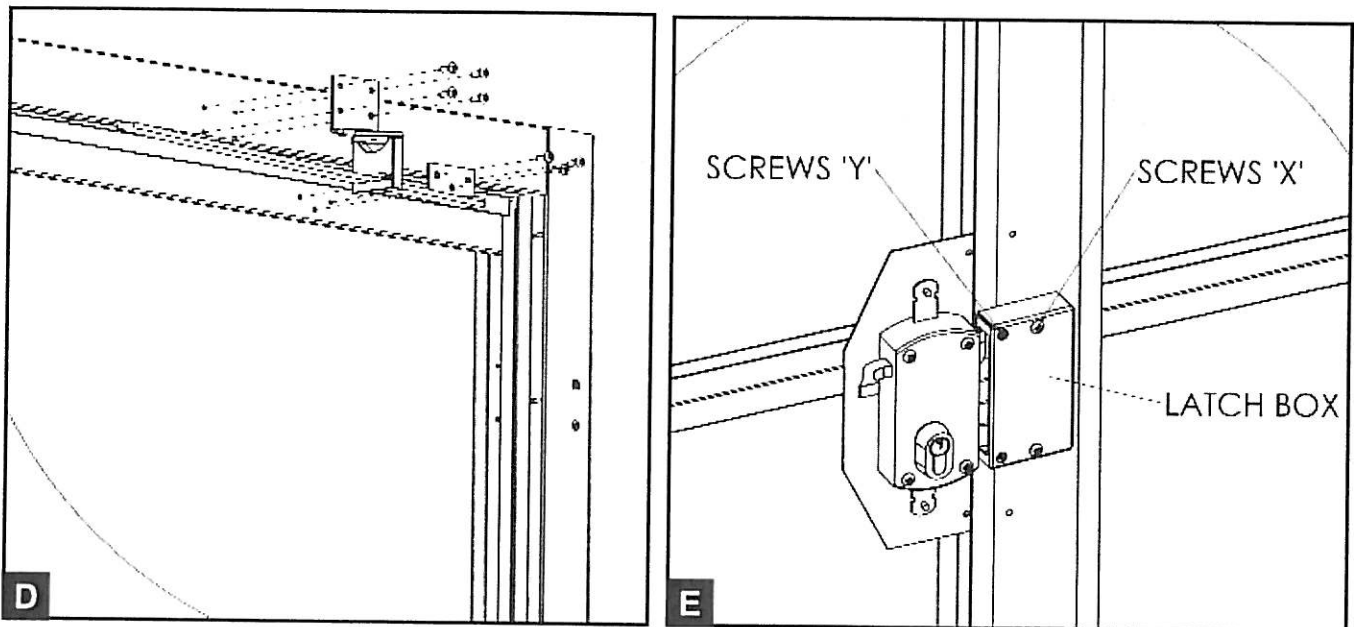
# 2

## DOOR FURNITURE

- 1** Your door unit is supplied with all door furniture pre-fitted except for door stays.
- 2** Fit door stay to "bolt leaf" using No 12 x 3/4" Pan Posi self tapping screws supplied, 4 off to secure to frame and 3 off to secure to door (See Fig D), Repeat for "lock leaf".
- 3** If necessary adjust latch to give correct closure (See Fig E).

To adjust latch clearance:-

- Loosen the 2 screws 'X' (See Fig E)
- Whilst keeping finger pressure on the latch box adjust screws 'Y' to increase or decrease latch clearance.
- When correct setting is obtained re-tighten screws "X"
- From inside, test latch for correct operation.

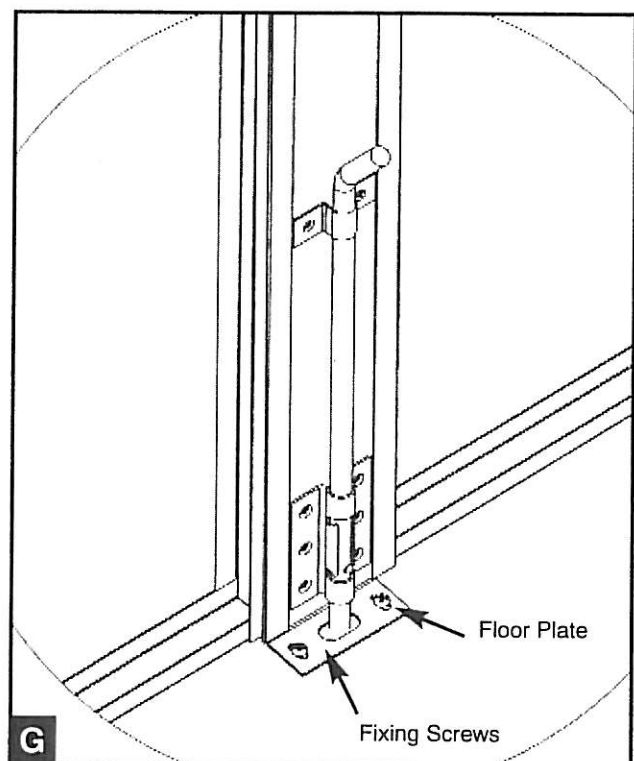
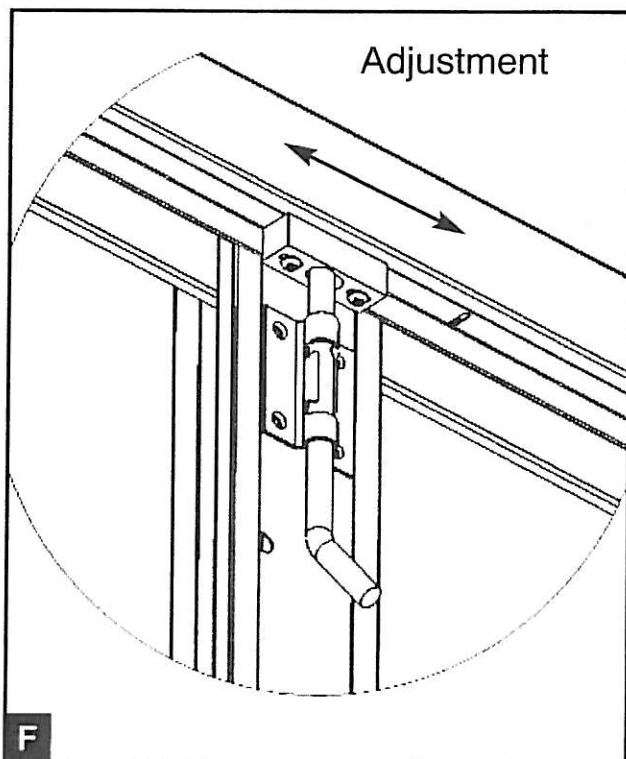


**4** If necessary adjust the top bolt securing lock (See Fig. F).

Loosen the two Posi screws and slide the block to left or right to give correct engagement. Re-tighten screws.

**5** Fit the bottom bolt floor plate (See Fig. G)

- With doors fully closed mark the bolt position on the floor.
- Fully open doors and drill a hole 25 mm diameter (1") x 50 mm deep (2") where marked.
- Fully close doors again and place the floor bolt plate in position with the bottom bolt extended through the plate.
- Mark the floor for the two fixing screws.
- Drill and plug floor with suitable plugs (See Note A).
- Secure plate to floor using the 2 off No 12 x 1 1/2" pan head posi screws and M6 washers supplied.
- Fine adjust position of plate, using slots provided, to give correct position and fully tighten screws.



# 3 UPON COMPLETION

---

- 1** Lubricate all hinges using '3 in 1' type oil.
- 2** Check door operation to ensure door opens and closes satisfactorily.
- 3** Check that locks and latches operate correctly.

**NOTE:**

The lock is fitted with a latch that can be operated with the key from outside or with the latch lever from inside.

It also has double throw deadlock bolts that must be operated with the key from either inside or outside.

- 4** Ensure all fixings are fully tightened.

# 4 TROUBLESHOOTING

---

- 1** DOORS DO NOT HANG SQUARE  
Check frame uprights are vertical and parallel.
- 2** DOOR LEAVES CLASH ON CLOSING  
Check frame uprights are vertical and parallel.
- 3** DOOR DOES NOT LATCH CORRECTLY  
Adjust latch keep as outlined in Section 2.3.
- 4** KEYS  
Your door is supplied with a set of 3 keys, if more are required contact your supplier for key blanks.
- 5** LOST KEYS  
Contact your supplier. The lock barrel will have to be replaced.